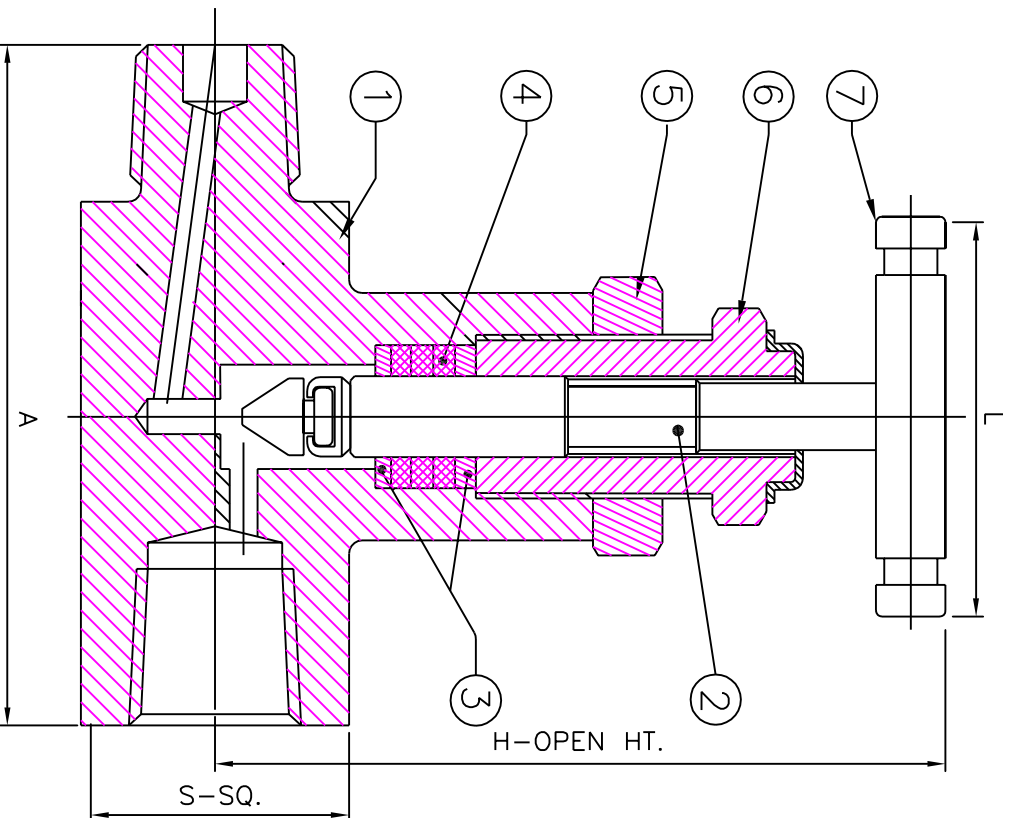


MATERIAL OF CONSTRUCTION

S.NO.	PART NAME	QTY.	MATERIAL
1	BODY	1	A479-316/CS
2	STEM	1	A276-316
3	PACKING WASHER	2	A479-316/CS
4	GLAND PACKING	3	GLASS FILLED PTFE
5	LOCK NUT	1	A479-316/CS
6	GLAND RETAINER	1	A479-316/CS
7	HANDLE	1	STAINLESS STEEL/CS
8	DUST COVER	1	PLASTIC
9	VEE TIP	1	17-4PH



FEATURES :

ONE PIECE BODY CONSTRUCTION FOR HIGH STRENGTH & FULL SAFETY, NO WELDING. 316 S.S. ONE PIECE BODY CONSTRUCTION FOR SUPERIOR CORROSION RESISTANCE. EXCELLENT FLOW REGULATION AND LEAK TIGHT. SLOW OPENING PREVENTS SUDDEN PRESSURE SURGE AND INSTRUMENT DAMAGE.

TESTING:

STANDARD TEST:- EACH VALVES IS TESTED WITH NITROGEN AT 1000 PSI FOR SEAT & PACKING LEAKAGE, WITH A MAX. ALLOWABLE LEAK RATE OF 0.1 SEC. / MIN. HYDRO TEST:- PERFORMED WITH PURE WATER AT 1-1/2 TIMES OF THE WORKING PRESSURE. TEMPERATURE AND HELIUM LEAK TESTS ARE AVAILABLE UPON REQUEST.

APPLICATION:-

REFINERIES, LIQUID PETROLIUM GAS, PROCESSING PLANT SYSTEMS DIFFICULT TO SHUT OFF DUE TO SOLIDE CONTENTS. DUST. RUST ECT.

NOTES:-

OPTIONAL GRAPHOIL PACKING WITH BALL TIP DESIGN AVAILABLE FOR HIGH TEMPERATURE APPLICATION WHICH ENSURE LONG LIFE IN REPETITIVE SHUT OFF SERVICE. SERIES OF END CONNECTIONS LIKE MALE/FEMALE NPT,BSP PIPE THREADED ENDS WITH STRIGHT AND ANGLE PATTERNS.DIMENSIONS ARE FOR REFERENCE ONLY. SUBJECT TO CHANGE. VALVE CAN BE SUPPLIED TO MEET CURRENT REVISION OF NACE MR-01-75. (SOURGAS SERVICE) MOLLY ANTI-SEIZE LUBRICANT.

TECHNICAL DATA

ORIFICE	Cv	Pr. Rat.	Temp.Rat.
5 mm.	0.22	10000 PSI (700 BAR)	-65 to 200° F (-50° to 93°C)

TABLE OF DIMENSION

SIZE	A	S-SQ.	H-OPEN HT.	L
1/4"	60	25	86	60
3/8"	60	28	86	60
1/2"	82	34	98	60
3/4"	87	38	98	70

TITLE:- " Hp" SERIES NEEDLE VALVE - MF

DRN.	CDC	SCALE	N.T.S.
CHD.	ET	DATE	13-04-02
APPD.	JP	DRG.NO.:	PNV-HP-MF

PANAM ENGINEERS
AN ISO 9001 : 2000 COMPANY
MUMBAI - INDIA

MATERIAL OF CONSTRUCTION

S.NO.	PART NAME	QTY.	MATERIAL
1	BODY	1	A479-316 / CS
2	STEM	1	A276-316
3	PACKING WASHER	2	A479-316 / CS
4	GLAND PACKING	3	GLASS FILLED PTFE
5	LOCK NUT	1	A479-316 / CS
6	GLAND RETAINER	1	A479-316 / CS
7	HANDLE	1	STAINLESS STEEL / CS
7	DUST COVER	1	PLASTIC

FEATURES :

ONE PIECE BODY CONSTRUCTION FOR HIGH STRENGTH & FULL SAFETY, NO WELDING.
 316 S.S. ONE PIECE BODY CONSTRUCTION FOR SUPERIOR CORROSION RESISTANCE.
 EXCELLENT FLOW REGULATION AND LEAK TIGHT. SLOW OPENING PREVENTS SUDDEN
 PRESSURE SURGE AND INSTRUMENT DAMAGE.

TESTING:

STANDARD TEST:- EACH VALVES IS TESTED WITH NITROGEN AT 1000 PSI FOR SEAT
 & PACKING LEAKAGE, WITH A MAX. ALLOWABLE LEAK RATE OF 0.1 SEC. / MIN.
 HYDRO TEST:- PERFORMED WITH PURE WATER AT 1-1/2 TIMES OF THE WORKING PRESSURE.
 TEMPERATURE AND HELIUM LEAK TESTS ARE AVAILABLE UPON REQUEST.

APPLICATION:-

REFINERIES, LIQUID PETROLEUM GAS, PROCESSING PLANT SYSTEMS DIFFICULT
 TO SHUT OFF DUE TO SOLIDE CONTENTS. DUST. RUST ECT.

NOTES:-

OPTIONAL GRAPHOIL PACKING WITH BALL TIP DESIGN AVAILABLE FOR HIGH TEMPERATURE
 APPLICATION WHICH ENSURE LONG LIFE IN REPETITIVE SHUT OFF SERVICE. SERIES OF END
 CONNECTIONS LIKE MALE/FEMALE NPT,BSP PIPE THREADED ENDS WITH STRAIGHT AND
 ANGLE PATTERNS.DIMENSIONS ARE FOR REFERENCE ONLY. SUBJECT TO CHANGE.
 VALVE CAN BE SUPPLIED TO MEET CURRENT REVISION OF NACE MR-01-75.
 (SOURGAS SERVICE)
 MOLLY ANTI-SEIZE LUBRICANT.

NOTES:-

DIMENSIONS ARE FOR REFERENCE ONLY.
 ALL DIMENSIONS ARE IN MM. UNLESS SPECIFIED.

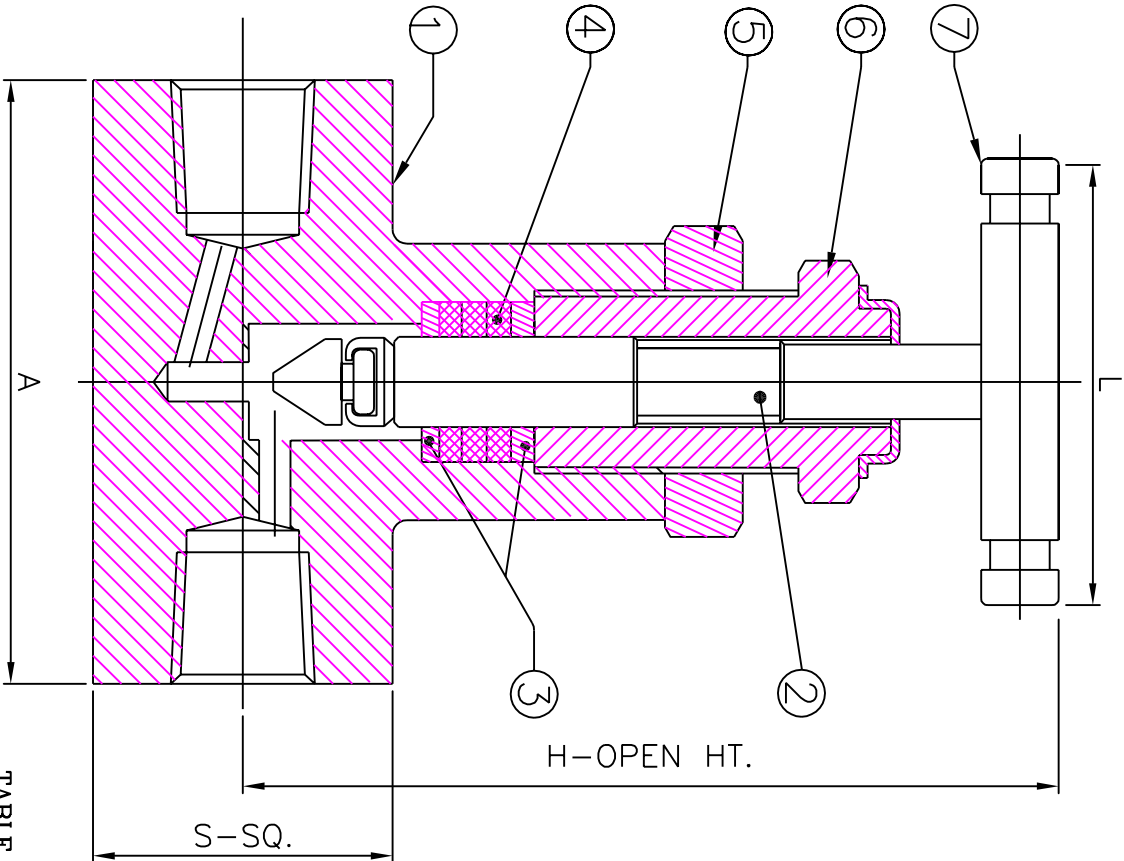


TABLE OF DIMENSION

TECHNICAL DATA				TABLE OF DIMENSION				
ORIFICE	Cv	Pr. Rot.	Temp. Rot.	SIZE	A	S-SQ.	H-OPEN HT.	L
5 mm.	0.22	10000 PSI (700 BAR)	-65 to 200° F (-50° to 93°C)	1/4"	55	25	86	60
				3/8"	55	28	86	
				1/2"	75	34	98	
				3/4"	80	38	98	70
				1"	90	45	115	80

TITLE : "HP" SERIES NEEDLE VALVE

DRAWN BY	GDC	SCALE	N.T.S.
CHECKED BY	ET	DATE	19.07.2002
APPROVED BY	JP	DRG. NO.	PNV-HP-FF

PANAM ENGINEERS

AN ISO 9001:2000 CERTIFIED COMPANY
 MUMBAI - INDIA